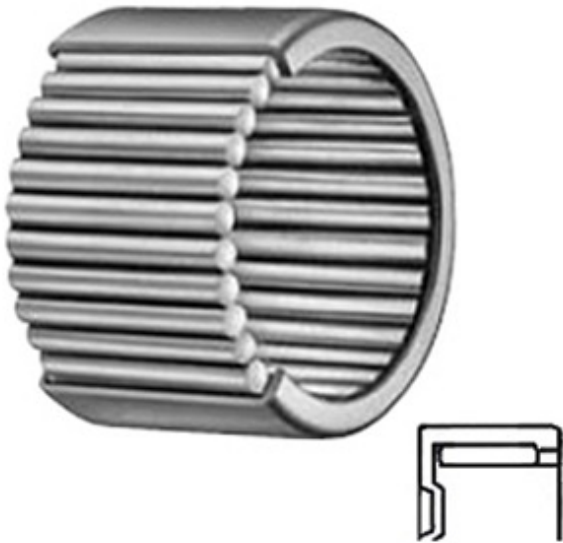




TIMKEN BEARINGS(UK)LTD.



0.75 Inch | 19.05 Millimeter x 1 Inch | 25.4 Millimeter x 0.75 Inch | 19.05 Millimeter KOYO M-12121 Needle Non Thrust Roller Bearings

Bearing No. M-12121

M-12121 Bearing 2D drawings and 3D CAD models

Category	Needle Non Thrust Roller Bearings
Inventory	92.0
Manufacturer Name	KOYO
Minimum Buy Quantity	N/A
Weight	0.028
EAN	0605790213199
Product Group	B04144
Rolling Element	Needle Roller Bearing
Component	Roller Assembly with Outer Ring - No Inner Ring
Enclosure	Open
Self Aligning	No
Retainer	No
Number of Rows of Rollers	Single Row
Separable	No
Closed End	Yes
Inch - Metric	Inch
Relubricatable	No
Thrust Bearing	No
Long Description	3/4" Bore; 1" Outside Diameter; 3/4" Width; Needle Roller Bearing; Roller Assembly with Outer Ring - No Inner Ring; Open Enclosure; No Self Aligning; No Retainer; Single Row of



TIMKEN BEARINGS(UK)LTD.

	Rollers;
Other Features	1 Rib Outer Ring Drawn Cup Bearing Full Complement
Category	Needle Non Thrust Roller Bearing
UNSPSC	31171512
Harmonized Tariff Code	8482.40.00.00
Noun	Bearing
Keyword String	Needle
Manufacturer URL	http://www.koyousa.com
Manufacturer Item Number	M-12121
Weight / LBS	0.062
D	1 Inch 25.4 Millimeter
d	0.75 Inch 19.05 Millimeter
B	0.75 Inch 19.05 Millimeter