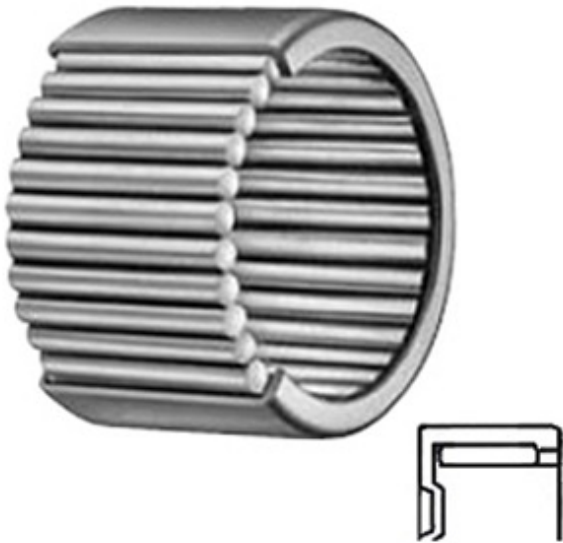




TIMKEN BEARINGS(UK)LTD.



0.375 Inch | 9.525 Millimeter x 0.563 Inch | 14.3 Millimeter x 0.625 Inch | 15.875 Millimeter KOYO M-6101 Needle Non Thrust Roller Bearings

Bearing No. M-6101

M-6101 Bearing 2D drawings and 3D CAD models

Category	Needle Non Thrust Roller Bearings
Inventory	0.0
Manufacturer Name	KOYO
Minimum Buy Quantity	N/A
Weight	0.009
EAN	0060579019623
Product Group	B04144
Rolling Element	Needle Roller Bearing
Component	Roller Assembly with Outer Ring - No Inner Ring
Enclosure	Open
Self Aligning	No
Retainer	No
Number of Rows of Rollers	Single Row
Separable	No
Closed End	Yes
Inch - Metric	Inch
Relubricatable	No
Thrust Bearing	No
Long Description	3/8" Bore; 9/16" Outside Diameter; 5/8" Width; Needle Roller Bearing; Roller Assembly with Outer Ring - No Inner Ring; Open Enclosure; No Self Aligning; No Retainer; Single Row of



TIMKEN BEARINGS(UK)LTD.

	Rolle
Other Features	1 Rib Outer Ring Drawn Cup Bearing Full Complement
Category	Needle Non Thrust Roller Bearing
UNSPSC	31171512
Harmonized Tariff Code	8482.40.00.00
Noun	Bearing
Keyword String	Needle
Manufacturer URL	http://www.koyousa.com
Manufacturer Item Number	M-6101
Weight / LBS	0.021
B	0.625 Inch 15.875 Millimeter
d	0.375 Inch 9.525 Millimeter
D	0.563 Inch 14.3 Millimeter