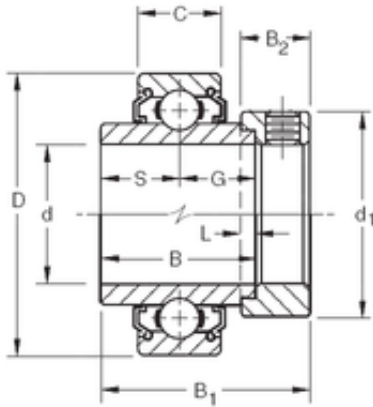




TIMKEN BEARINGS(UK)LTD.

47,625 mm x 90 mm x 49,21 mm TIMKEN 1114KLL Insert Bearings Cylindrical OD



Bearing No. 1114KLL

Size	47.625x90x49.21 mm
Bore Diameter	47,625 mm
Outer Diameter	90 mm
Width	49,21 mm
d	47,625 mm
D	90 mm
B	49,21 mm
C	20 mm
d1	69,9 mm
B1	62,71 mm
B2	18,26 mm
G	24,61 mm
L	4,76 mm
S	24,61 mm
Weight	1,075 Kg
Basic dynamic load rating (C)	39 kN

1114KLL Bearing 2D drawings and 3D CAD models