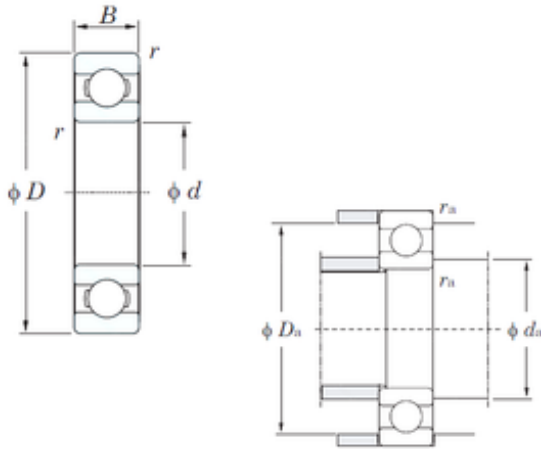




# TIMKEN BEARINGS(UK)LTD.



6301 Bearing 2D drawings and 3D CAD models

NSK NTN Koyo Japan Brand Deep Groove Ball Bearing 6301 6302 6303 6304 6305 6306 6307 6308 6309 6310

Bearing No. 6301

Size	12x37x12 mm
Bore Diameter	12 mm
Outer Diameter	37 mm
Width	12 mm
d	12 mm
D	37 mm
B	12 mm
C	12 mm
r min.	1 mm
da min.	17 mm
Da max.	32 mm
ra max.	1 mm
Weight	0,06 Kg
Basic dynamic load rating (C)	9,7 kN
Basic static load rating (C0)	4,2 kN
(Grease) Lubrication Speed	20000 r/min
(Oil) Lubrication Speed	25000 r/min
Category	Single Row Ball Bearings
Inventory	0.0
Manufacturer Name	KOYO
Minimum Buy Quantity	N/A
Weight / Kilogram	0.067
EAN	0060579007145
Product Group	B00308



## TIMKEN BEARINGS(UK)LTD.

Enclosure	Open
Precision Class	ABEC 1   ISO P0
Maximum Capacity / Filling Slot	No
Rolling Element	Ball Bearing
Snap Ring	No
Internal Special Features	No
Cage Material	Steel
Internal Clearance	C0-Medium
Inch - Metric	Metric
Long Description	12MM Bore; 37MM Outside Diameter; 12MM Outer Race Width; Open; Ball Bearing; ABEC 1   ISO P0; No Filling Slot; No Snap Ring; No Internal Special Features; C0-Medium Internal Clearance; Steel Cage
Other Features	Deep Groove
Category	Single Row Ball Bearing
UNSPSC	31171504
Harmonized Tariff Code	8482.10.50.68
Noun	Bearing
Keyword String	Ball
Manufacturer URL	<a href="http://www.koyousa.com">http://www.koyousa.com</a>
Weight / LBS	0.13228
Outside Diameter	1.457 Inch   37 Millimeter
Outer Race Width	0.472 Inch   12 Millimeter
Inner Race Width	0 Inch   0 Millimeter
Bore	0.472 Inch   12 Millimeter
Bearing No.	6301
r(min)	1
Cr	12.1
C0r	4.20



## TIMKEN BEARINGS(UK)LTD.

Cu	0.420
f0	11.1
Grease lub.	20000
Oil lub.	25000
da(min)	17
Da(max)	32
ra(max)	1
(Refer.)Mass(kg)	0.060